

DATA_⇒LYNX[®]

TELEMETRY EQUIPMENT

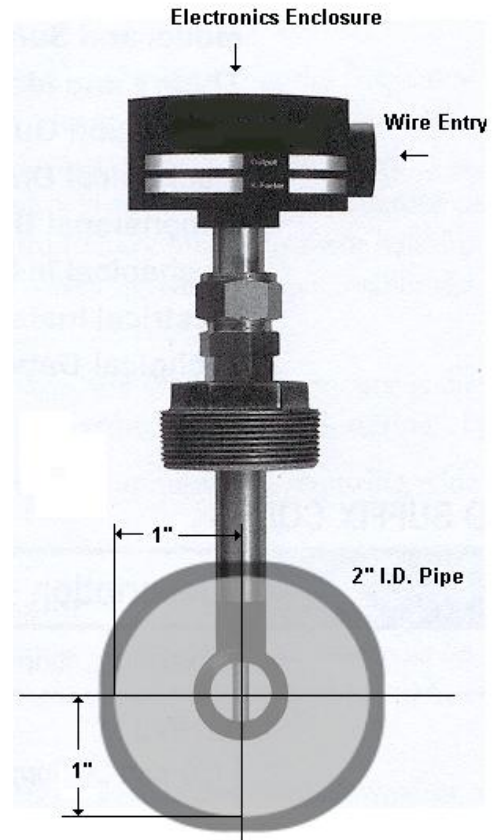
VORTFLOW

The VORT-FLOW flow meter represents a new generation of flow meters specifically designed for water flow applications.

Vortex shedding flow meters measure flow by detecting the frequency at which vortices are alternately shed from a bluff body. The vortices create low and high-pressure zones behind the bluff body, which are detectable as forces acting on the sensor wing.

This force is transmitted through the sensor wing to the VORT-FLOW piezo-resistive sensor mounted inside the flow line. The shedding frequency is directly proportional to the average flow velocity.

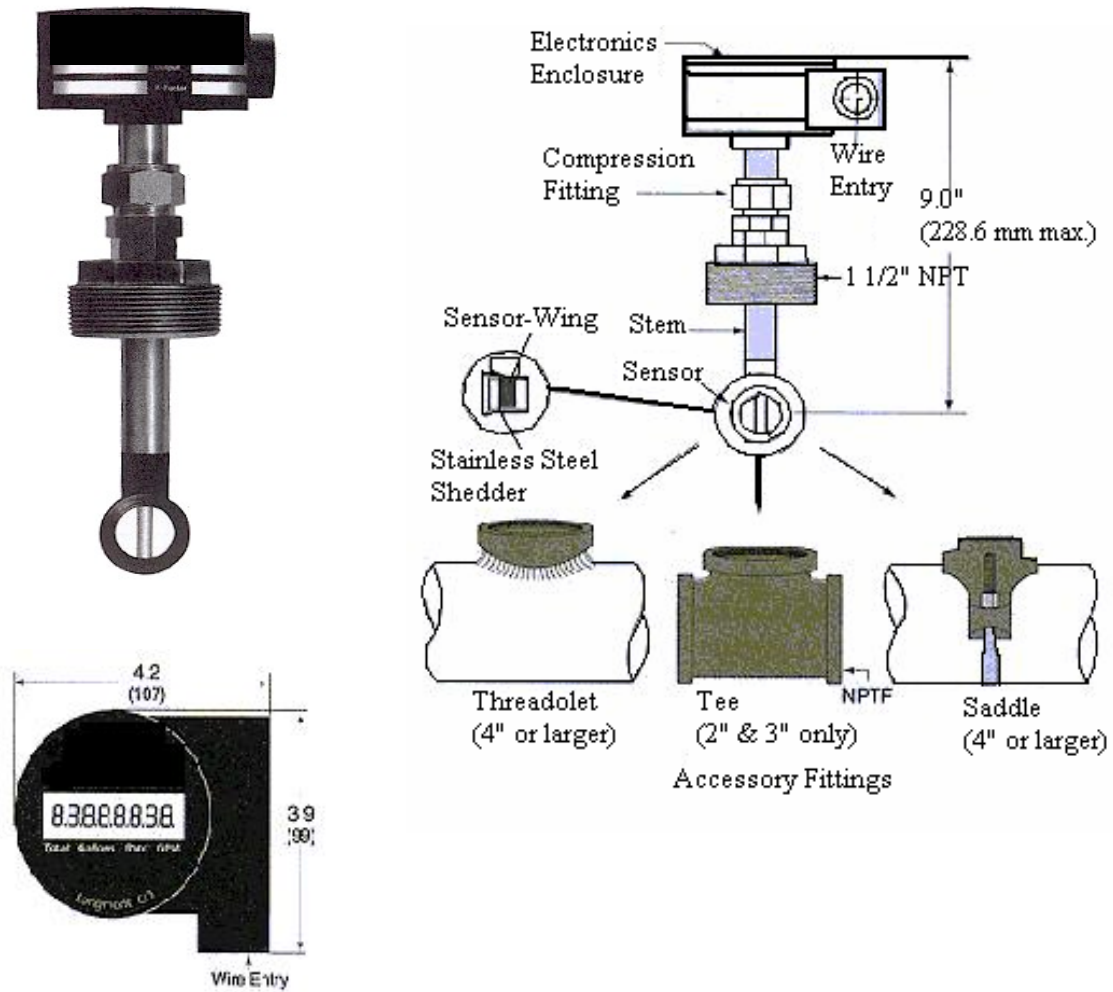
The Vortex flow meter is preferred for many applications requiring wide flow range, accuracy and reliability (no moving parts).



MODEL AND SUFFIX CODES

Category	Description	Suffix Codes					
Vortflow	Fixed Insertion Flowmeter	VF	--	--	--	--	--
Line Size	2" thru 20" (50 mm-500 mm)	--	2	--	--	--	--
		--	thru	--	--	--	--
		--	20	--	--	--	--
Mounting	Thread-o-let	--	--	1	--	--	--
	Saddle for Steel Pipe	--	--	2	--	--	--
	Saddle for PVC Pipe	--	--	3	--	--	--
	Tee (2" and 3" only)	--	--	4	--	--	--
	None (Retrofit)	--	--	5	--	--	--
Output	Pulse	--	--	--	1	--	--
	4-20 mA	--	--	--	2	--	--
	0-1 mA (for use with solar power supply)	--	--	--	3	--	--
	Custom consult factory	--	--	--	4	--	--
	--	--	--	--	--	--	--
Display	No Display	--	--	--	--	1	--
	Rate/Total Display	--	--	--	--	2	--
Measuring Units	English	--	--	--	--	--	1
	Metric	--	--	--	--	--	2

Example: VF-06-4-1-2-1 = Vort-flow meter for a 6 " diameter pipe with "Tee" for mounting on steel pipe, pulse output and flowrate/flow totalized display in English units.



MECHANICAL SPECIFICATION:

Type	Fixed Insertion
Measurable Fluids	Water, Water-Glycol Mixtures; Condensate
Pipe Sizes	2" to 20" (50 to 500 mm)
Fluid Temperature	32° F to 212° F (0 to 100° C) for all Connections
Fluid Pressure	400 psi (27.5 bar) maximum for T.O.L. 300 psi (20.7 bar) maximum for saddle connections 150 psi (10.3 bar) maximum for tee connections
Ambient Temperature	-20° F to 140° F (-29 to 60° C)
Flow Range	0.5 feet, or 0.15 meters, per second minimum 15 feet or 4.5 meters per second maximum

Accuracy (Combined Linearity and Repeatability)	±1% of full scale
Wetted Parts:	
Vortex Sensor.	Ultem® (Plastic)
Shedder Bar	316 Stainless Steel
Stem	316 Stainless Steel
O-rings	EPDM
Compression Fittings	Brass
Straight run Piping	Typical 10 diameters upstream, 5 diameters downstream
Enclosure	Reinforced Polycarbonate, NEMA 6
European CE Mark	Approved