



LOOP-POWERED FLOW INDICATOR

Model Number 420

FEATURES

The 420 is a loop-powered microcontroller-based transmitter/indicator. It displays rate and total, and provides a 4-20 mA analog signal proportional to flow. A programmable pulse output, high flow or low flow alarm are also standard for metering pump control or data logging.

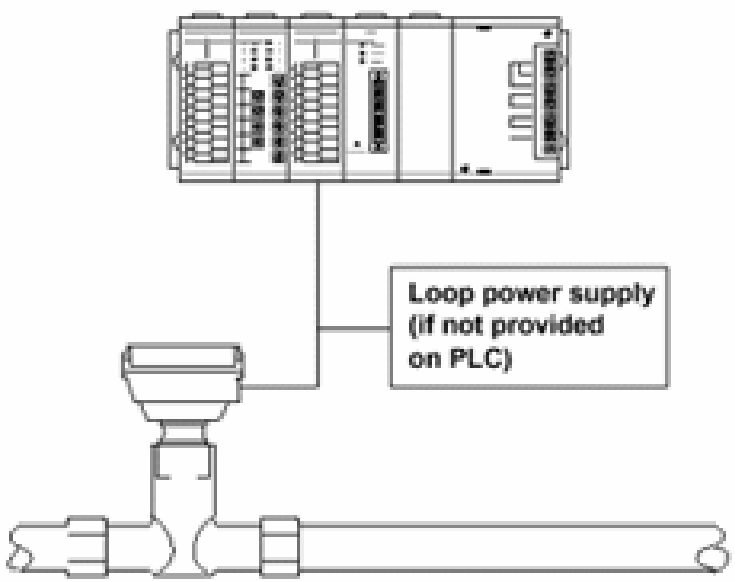
The rugged cast-aluminum housing has a gasket for maximum environmental protection, and the electronics are potted into a solid block of urethane. A membrane keypad allows settings to be changed without removing the cover.



Specifications	
Power	4 mA DC (4 to 20 mA loop), 12 to 32 VDC
Rate	6-digit autorange, 1/2" character height
Total	8-digit, 5/16" character height
Pulse Output	0.1 second open collector (Scaled), High alarm or low alarm, Sensor pulse (Unscaled)
Input	Pulse frequency + 5 VDC
K factor Range	0.050 to 999999.9
Pulse Output Range	0.1 to 200,000 units/pulse
Temperature	32° to 158°F (0° to 70°C)
Environmental	NEMA 4X
Flow Alarm Output Range	0.1 – 999999.99
Mounting Options	420M – Meter Mounted 420W – Wall Mounted 420P – Panel Mounted

Email: sales@automata-inc.com • <http://www.automata-inc.com>
Fax: (530) 478-5881 • Phone: (530) 478-5882 • (800) 994-0380
104 New Mohawk Rd., Suite A • Nevada City, California 95959

Typical 4-20 mA Application



Dimensions

