



FLOW RATE/TOTAL INDICATOR (DISPLAY)

630-0700-XXX

FEATURES

All Displays can be factory-mounted on the meter or remotely wall mounted with the brackets provided. These Displays can be used in conjunction with Automata's Field Stations and require a Flow Display Harness (#341-6100-000).



Turbine Flow Meter Display

Display (FT415) #630-0710-010 is read in Total Flow Gallons and Display (FT416) #630-0710-110 in Total Flow Acre Feet. Both displays are battery powered and provide a scalable pulse output. Both Displays are to be used with the Turbine Flow Meter.

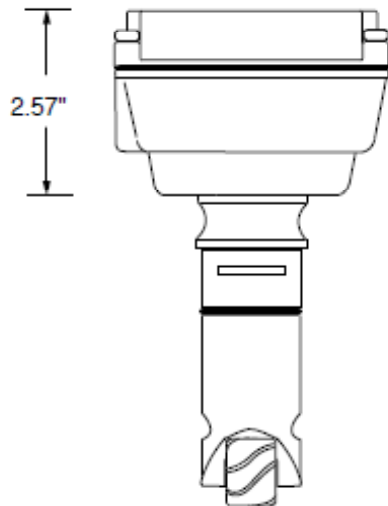
Electromagnetic Flow Meter Display

Display (FT420) #630-0710-100 is to be used with the Electromagnetic Insertion Flow Meters and powered by external DC voltage. It has pulse and a 4-20mA analog output. The 630-0710-100 Display is a "two-wire" or "loop powered" device, meaning the 4-20mA output signal doubles as its power supply.

Specifications	630-0710-010	630-0710-110	630-0710-100
Power	Lithium "C", 3.6 Vdc, replaceable, 3-5 yr life		4 mA DC (4 to 20 mA loop), 12 to 30 VDC
Display Rate	6-digit autorange, 1/2" character height		
Display Total	8-digit, 5/16" character height		
Input	Micropower GMR Sensor (square wave)		5V pulse or contact closure
Analog Output	NONE		4-20mA loop; 24-30 Vdc
K factor Range	0.001 to 999999.9		
Pulse Output Range	0.1 to 9999999.9 units/pulse		
Operating Temperature	-30° to 65° C (-22° to 148° F)		
Environmental	NEMA 4X		
Flow Alarm Output Range	0.01 – 999999.99		
Mounting Options	Meter Mounted Wall Mounted		

Email: sales@automata-inc.com • <http://www.automata-inc.com>
 Fax: (530) 478-5881 • Phone: (530) 478-5882 • (800) 994-0380
 138 New Mohawk Rd., Ste. 151 • Nevada City, California 95959

**FT415/FT420
Sensor Mount**



**FT415/FT420
with Wall Mount Brackets**

